

Ventilcassaforma

Template for recessed installation of fancoils in the wall



DESCRIPTION

Ventilcassaforma has been designed to respond to the needs to rationalise spaces to suit modern interior architecture. Ventilcassaforma is a galvanised template that makes it possible to make a space to house fan coils in the wall. The template will make masonry work easier during the construction of a niche where the fan coil will be installed. When the work is finished, the fan coil will be completely hidden from view.

VERSIONS

CHU-L for fan coils in the Omnia UL-P series

CHF for fan coils in the FCX-P, FCX-PV and FCXI-P series in 2 pipe systems, 2 pipe systems with resistance and with 4 pipe systems

FEATURES

Ventilcassaforma is made up of the following parts to be assembled:

- Recess box;
- Closure panel;
- Outer frame with deflector;
- Cover bases, cross-members, covers.

All parts are made of galvanised steel and treated with epoxy-polyester resin-based thermo-hardening base paint in grey with rough glazed finish in order to hold the paint. The final colour can be chosen by the client.

Closure Panel

Made of galvanised steel, this is the box housing the fan coil. The box is recessed in the wall during building work making the construction of a niche where the fan coils will be installed much easier. Holes for fitting the fan coil and preparing an electric plant with a socket and GEWISS fuse holder are already present on the back panel. The box can accommodate the hydraulic system pipes and condensation drain pipes thanks to the presence of several easily-removable elements on the sides and base.

Closure Panel

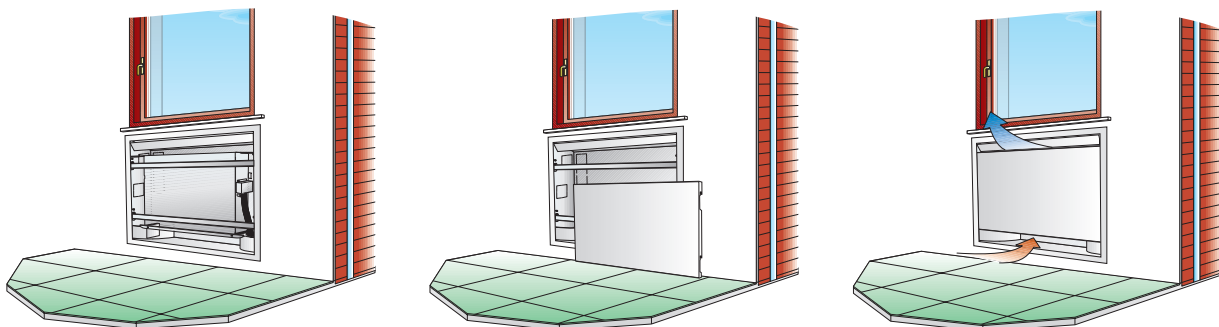
Made of steel pre-treated with base paint and no slots present. Easily removable for servicing and cleaning the air filter.

Outer Frame

The perimeter of the box has an outer frame made of pre-treated steel making it possible to cover the perimeter part of the wall and hide any imperfections that overtime show possible crumbling on the edge of the plaster work.

Deflector

Manual, with which the flow of air can be directed into the room. The deflector is incorporated in the frame.



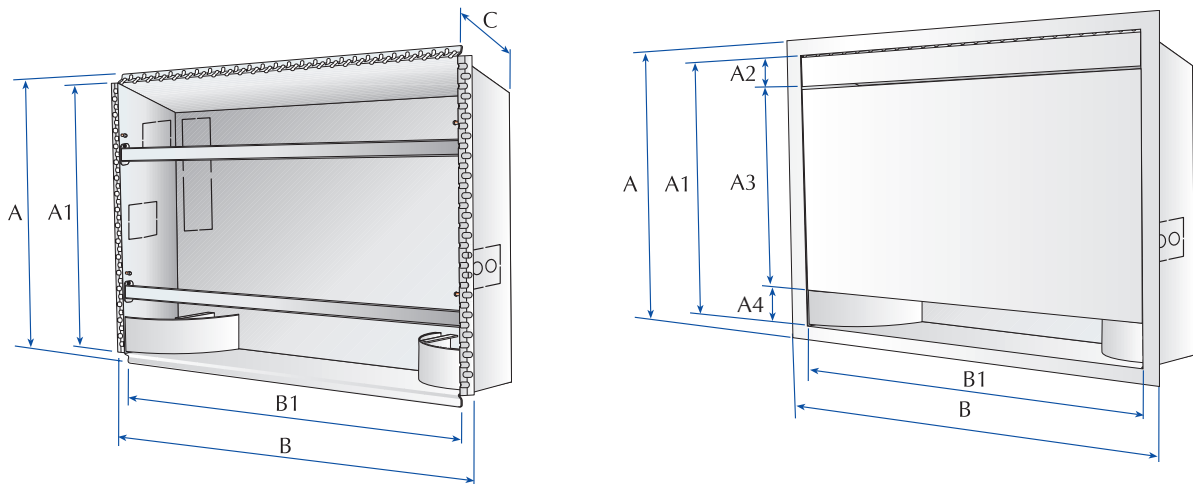
VENTILCASSAFORMA - COMBINATION

Ventilcassaforma CHU L + Omnia UL combination				
Ventilcassaforma	CHU 12 L	CHU 17 L	CHU 27 L	CHU 37 L
Fan coil	Omnia UL 11 P	Omnia UL 16 P	Omnia UL 26 P	Omnia UL 36 P

Combination Ventilcassaforma CHF - FCX P / FCX PV / FCXI P / FCZ P / FCZI P					
Ventilcassaforma	CHF 17	CHF 22	CHF 32	CHF 42	CHF 62
Fan coil	FCX 17 P FCX 17 PV FCZ 1 P-PPC *	FCX 22 P	FCX 32 P - 36 P	FCX 42 P - 50 P - 56 P	FCX 62 P - 82 P - 102 P
		FCX 22 PV	FCX 32 PV - 36 PV	FCX 42 PV - 50 PV - 56 PV	FCX 62 PV - 82 PV - 102 PV
		FCX 24 P	FCX 34 P	FCX 44 P - 54 P	FCX 64 P - 84 P
		FCX 24 PV	FCX 34 PV	FCX 44 PV - 54 PV	FCX 64 PV - 84 PV
		FCXI 20/24 P	FCXI 30/34/36 P	FCXI 40/44 P - 50/54/56 P	FCXI 80/84 P
		FCZ 2 P-PPC-PO *	FCZ 3 P-PPC-PO *	FCZ 4/5 P-PPC-PO *	FCZ 6/7/8/9/10 P-PPC-PO*
	FCZI 2 P *	FCZI 3 P *	FCZI 4/5 P *	FCZI 7/9 P *	

The fan coils FCX-P, FCX-PV and FCXI-P can be inserted into 2 pipe systems, 2 pipe systems with resistance and 4 pipe systems
* For fan coils FCZ and FCZI, with 1, 2, 3, 4 means all sizes available es. with "1" means 100/101/102/150

DIMENSIONS



Size		CHU12 L	CHU17 L	CHU27 L	CHU37 L	CHF17	CHF22	CHF32	CHF42	CHF62
A	mm	691	691	691	691	728	728	728	728	833
A1	mm	648	648	648	648	684	684	684	684	789
B	mm	692	802	1032	1252	732	842	1073	1293	1414
B1	mm	644	754	984	1204	684	794	1025	1245	1366
C	mm	186	186	186	186	240	240	240	240	240

Outer frame and closure panel

Size		CHU12 L	CHU17 L	CHU27 L	CHU37 L	CHF17	CHF22	CHF32	CHF42	CHF62
A	mm	724	724	724	724	760	760	760	760	865
A1	mm	634	634	634	634	680	680	680	680	785
A2	mm	70	70	70	70	93	93	93	93	93
A3	mm	494	494	494	494	493	493	493	493	598
A4	mm	-	-	-	-	94	94	94	94	94
B	mm	713	823	1053	1273	753	863	1094	1314	1435
B1	mm	633	743	973	1193	673	783	1014	1234	1355

Aermec reserves the right to make any modifications deemed necessary.
All data is subject to change without notice. Aermec does not assume responsibility or liability for errors or omissions.

Aermec S.p.A.

Via Roma, 996 - 37040 Bevilacqua (VR) - Italia
Tel. 0442633111 - Telefax 044293577
www.aermec.com